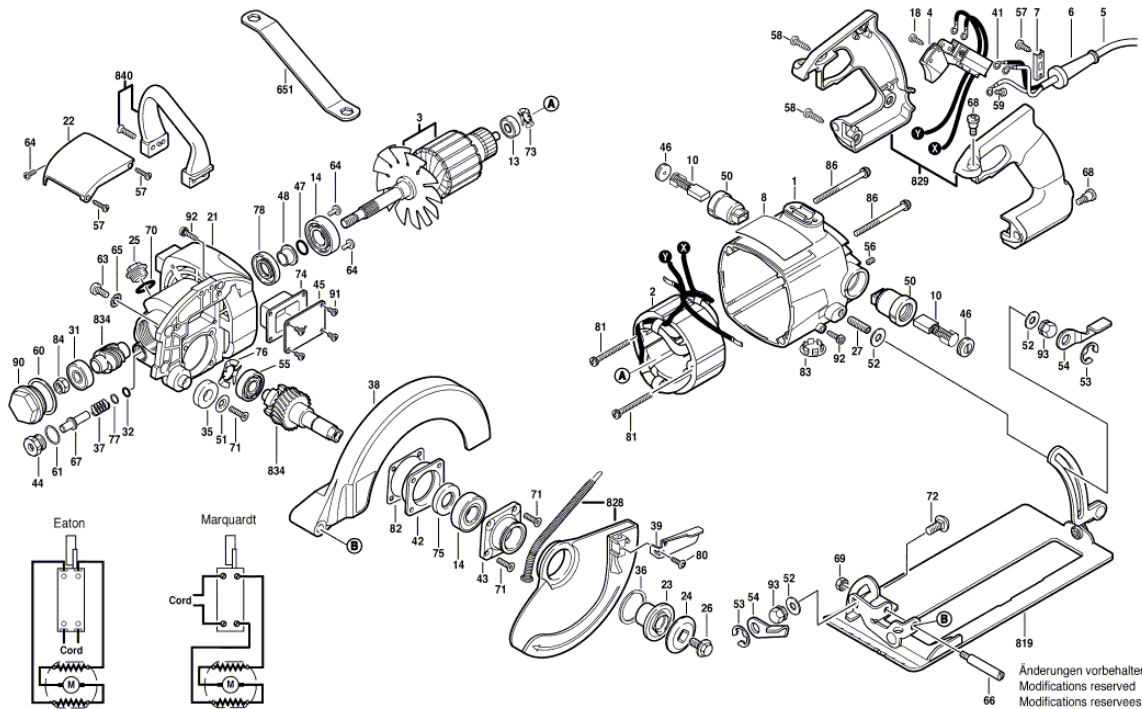




F 012 HD7 7LA CIRCULAR SAW HD77

20.09.2006
23:33:20

F012 HD7 7LA
Stand Issue J 04-03-04 **Fig./Abb. 1**



Item	Quantity	Order No.	Designation	Price group	Page
1	1	2 610 352 051	MOTOR HOUSING		1
2	1	2 610 931 898	FIELD		1
3	1	2 610 931 892	ARMATURE		1
4	1	2 610 321 608	ON-OFF SWITCH		1
5	1	2 610 991 862	MAINS CONNECTION CABLE		1
6	1	2 610 005 970	GROMMET		1
7	1	2 610 003 719	CABLE CLIP		1
8	1	2 610 904 562	NAMEPLATE		1
10	2	2 610 320 391	CARBON BRUSH		1
13	1	2 610 017 348	DEEP-GROOVE BALL BEARING		1
14	2	2 610 024 748	BALL BEARING		1
18	1	2 610 901 971	SCREW		1
21	1	2 610 352 057	GEAR HOUSING		1
22	1	2 610 303 855	COVER		1
23	1	2 610 352 118	PLAIN WASHER		1
24	1	2 610 901 964	PLAIN WASHER		1
25	1	2 610 023 384	LOCK		1
26	1	2 610 000 050	BOLT		1
27	1	2 610 315 286	BOLT		1
31	1	2 610 017 875	BALL BEARING		1
32	1	2 610 015 726	RING		1
35	1	2 610 319 494	BUFFER		1
36	1	2 610 341 359	RETAINING RING		1
37	1	2 610 023 394	SPRING		1
38	1	2 610 352 103	PROTECTIVE COVER		1
39	1	2 610 352 085	CONTROL LEVER		1
41	3	2 610 316 596	TERMINAL		1
42	1	2 610 352 115	PIVOT PLATE		1
43	1	2 610 352 091	HOLDING PLATE		1
44	1	2 610 023 324	PIN		1
45	1	2 610 023 336	COVER		1
46	2	3 603 463 500	SCREW PLUG		1
47	1	2 610 044 638	RING		1
48	1	2 610 023 330	SEAL		1
50	2	2 610 329 940	CARBON BRUSH HOLDER		1
51	1	2 610 004 341	DISC		1
52	3	2 610 009 722	PLAIN WASHER		1
53	2	2 610 968 747	RETAINING RING		1
54	2	2 610 968 745	LEVER		1
55	1	2 610 000 166	BALL BEARING		1
56	2	2 610 027 039	FITTING SCREW		1
57	4	2 610 315 299	SCREW		1
58	4	2 610 315 380	SCREW		1
59	1	2 610 320 173	SCREW		1
60	1	2 610 023 331	WASHER		1
61	1	2 610 025 067	WASHER		1
63	2	2 610 329 955	SCREW		1
64	4	2 610 341 365	SCREW		1
65	2	2 610 306 355	WASHER		1
66	1	2 610 319 932	BOLT		1
67	1	2 610 325 655	PIN		1

68	4	2 610 353 799	SHIM RING	1
69	1	2 610 356 026	NUT	1
70	1	2 610 044 639	O-RING	1
71	5	2 610 027 002	SCREW	1
72	1	2 610 016 325	ADJUSTING PIN	1
73	1	2 610 004 459	WASHER	1
74	1	2 610 023 335	INSERT	1
75	1	2 610 025 245	SEAL	1
76	1	2 610 004 521	SPRING	1
77	1	2 610 017 016	DISC	1
78	1	2 610 329 927	SNAP RING	1
80	1	2 610 328 924	SCREW	1
81	2	2 610 329 950	SELF-TAPPING SCREW	1
82	1	2 610 023 334	SEALING PLATE	1
83	1	2 610 350 005	PLUG	1
84	1	2 610 318 324	NUT	1
86	4	2 610 329 953	SELF-TAPPING SCREW	1
90	1	2 610 923 336	BEARING END PLATE	1
91	4	2 610 353 289	SELF-TAPPING SCREW	1
92	2	2 610 992 206	HEX-SOCKET-HEAD CAP SCREW	1
93	2	2 610 968 746	NUT	1
651	1	2 610 000 266	SCREWDRIVER	1
819	1	2 610 352 080	BASE PLATE	1
828	1	2 610 923 397	PIVOTING BLADE GUARD	1
829	1	2 610 902 881	HANDLE	1
834	1	2 610 357 524	GEAR HOUSING	1
840	1	2 610 990 138	AUXILIARY HANDLE	1

